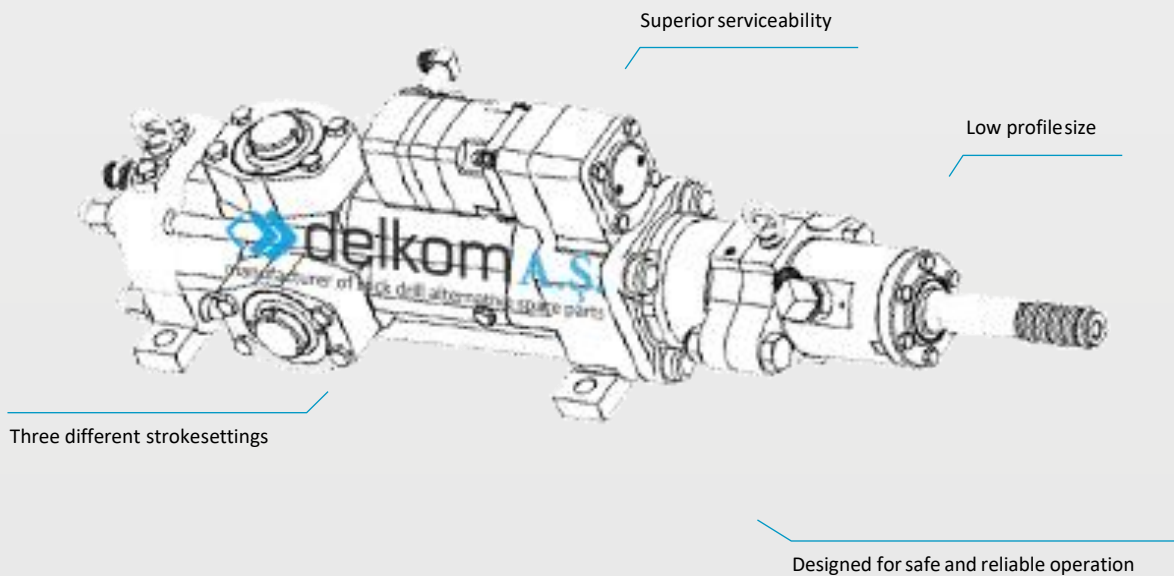


OPTIMIZED PRODUCTIVITY

DEVELOPED FOR COST EFFICIENT SURFACE DRILLING, HIGH MACHINE UTILIZATION AND TROUBLE FREE OPERATION.



DRIFTER YH135

MAIN BENEFITS

- Enhanced service life through wear reduction
- Flexibility to ensure optimal drilling performance
- Quick and easy regular maintenance procedures



The yh version comes with a built in powerful hydraulic extractor. Extractor unit upgrade kits are available.



Service tools are available to facilitate precise and correct machine maintenance ensuring equipment safety and performance.



Major and minor preventative maintenance kits are available for maintenance ease, and to ensure optimized rock drill service life.

Technical specifications

Dimensions and weight

Weight	260 kg (573 lb)
Length	1225 mm (48 inch)
Height	335 mm (13.19 inch)
Width	360 mm (14.17 inch)

Impact ratings

Impact power, max	21 kW (28.16 hp)
Hydraulic pressure	140 bar (2030 psi)
Impact frequency	42 Hz (2520 bpm)

Accumulator charge pressure

Intake	60 bar (870 psi)
Return	5 bar

Rotation ratings

Rotation torque, max	160 cc - 1177 Nm (868 lbf-ft)
Rotation speed	160 cc - 0 - 120 rpm
Rotation pressure, max	160 cc - 140 bar (2,030 psi) 315 cc - 140 bar (2,030 psi)
Oil consumption, max	160 cc - 140 l/min (43.6 cfm)

Drilling parameters

Rod size	T45, T51
Hole range	89 - 127 mm
Optimum hole dimension	76 mm (3 inch)

Flushing flow and pressure

Lubricating air consumption	6 l/s at 3 bar (12.7 cfm at 44 psi)
-----------------------------	-------------------------------------

